

TB 254-15

RGP-Updated Tank Adapter Introduction

Product: STAR 18TA, STAR 24TA Tank Adapters

Date: September 14, 2015

This bulletin is to announce the availability of an updated Roth Tank Adapter. The part numbers remain unchanged from our previous STAR18TA and STAR24TA products. This update is due to a change in the supplier of the manufactured product.

Uses

The STAR 18TA product is designed to adapt an 18 inch N12 Polyethylene (culvert) pipe riser to precast concrete tanks for grade access.

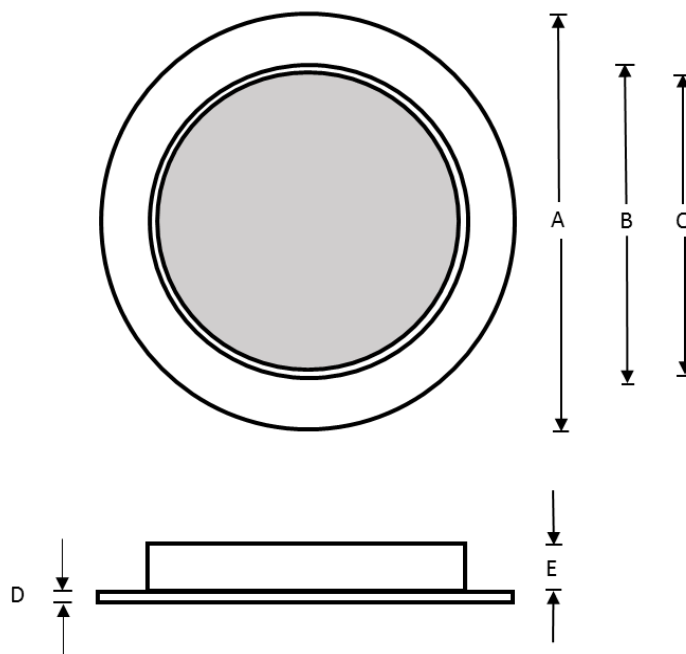
The STAR 24TA product is designed to adapt a 24 inch N12 Polyethylene pipe riser to precast concrete tanks or the Roth RMT tanks (RMT-500 to RMT-1500 sizes) for grade access.

Material of Construction

The STAR tank adapter is constructed from molded polyurethane.

Dimensions

Dimensions (in)	A	B	C	D	E	No. Holes	Hole BC
STAR 18TA	27.00	17.50	16.20	0.50	2.20	N/A	N/A
STAR 24TA	30.00	23.25	21.75	0.50	2.20	(8) 5/16	29.00



TB 254-15

RGP-Updated Tank Adapter Introduction

Tank attachment

Tank adapter is sealed to the tank opening with butyl mastic rope and secured to the tank using threaded fasteners appropriate for the tank material. Butyl mastic sealants are available from Roth for general purpose and potable water applications

Pipe attachment

Roth recommends the use of a structural adhesive such as Orenco ADH100® to attach the riser pipe to the tank adapter.*

Riser closure

The Roth STAR 18P and STAR 24P Plug products are designed to provide a water tight closure to pipe risers constructed of N12 PE (culvert) pipe.

*(Details included in Roth Instruction Sheet-“Assembly and installation instructions-Roth STAR-24/N12”)



Please contact the Technical Department at Roth Global Plastics with any questions regarding this bulletin using the contact information below.