

Submittal Data Information

Roth Alpha Expansion Module Switchable

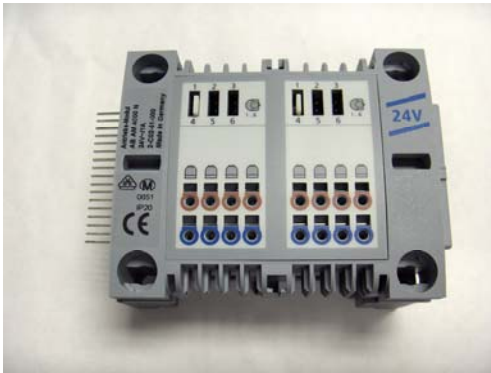


Effective: August 2007

Supersedes:

Job: _____ Engineer: _____ Contractor: _____ Rep: _____

ITEM PART NO.	ITEM DESCRIPTION	MANUFACTURER
#234007774	Alpha Expansion Module Switchable	Roth



Application & Function

The ActuatorModule is connected to the Alpha-Basis by means of a laterally integrated interface. By jumper setting, a maximum of four further Alpha-Actuators can be assigned to two existing Alpha-Thermostats at the Alpha-Basis, or even a maximum of 8 further Alpha-Actuators can be assigned to only one actuator at the Alpha-Basis.

The screwless and colour-coded connection technique (spring/clamp terminal connections) allows simple and quick installation.

All electrical lines are secured with cable grips. The guides of the cable grips as well as the clear arrangement allow a trouble-free and quick installation of the ActuatorModule.

Further optionally available modules can be connected to the ActuatorModule, using the integrated interface.

Note



Do not exceed the overall numbers of 14 Alpha Actuators for the complete Alpha-Basis control system.

Features

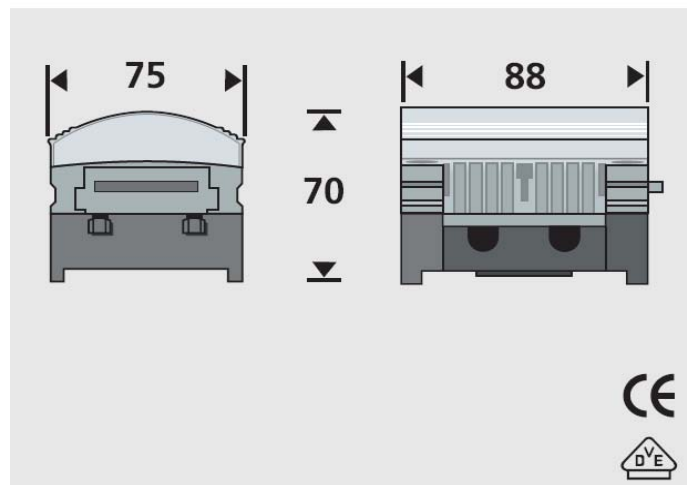
- Individual assignment of Alpha-Actuators to Alpha-Thermostats
- Functional design
- Modular plug-in installation
- Spring/clamp terminal connections

Technical Data

Typ	AB AM 2000 / AM 4000
Operating voltage	230 V AC / 24 V AC
Max. power input	50 W incl. basis
Dimensions (mm) H / W / L	70 / 75 / 88
Weight	220 g
Protection class	II
Protection type	IP 20
Ambient temperature	0 to 50°C
Storage temperature range	-25 to 60°C
Relative humidity	max. 80% ¹⁾
Applicable wire sections	
Solid wire	0.5 – 1.5 mm ²
Flexible wire ²⁾	1.0 – 1.5 mm ²

¹⁾ not condensing

²⁾ The wires of the Alpha-Actuators can be used with factory-mounted end sleeves.



Your Environment is Our Business.®

ROTH Industries, Inc, 268 Bellew Avenue South, Watertown, NY 13601
 ROTH Industries, Inc, 1607 rue de l'Industrie, Beloeil, QC J3G 4S5

Telephone: (315) 755-1011 Fax: (315) 755-1013
 Telephone: (800) 969-7684 Fax: (450) 464-7950

Visit our website at: www.roth-america.com

Copyright 2007